



ES
Engine Systems

seitzvalve

Starting Valve with slow turn Type 2922 and 2875



Starting Valve with slow turn

Starting Valve types 2922 and 2875 are valve combinations consisting of Main Starting Valve with integrated slow turn function. Two flange-mounted Solenoid Valves separately control the main starting and slow turn function.

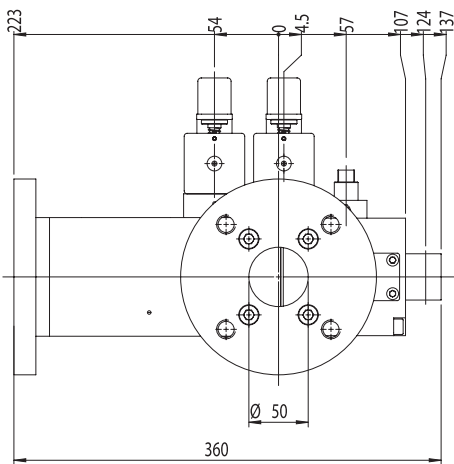
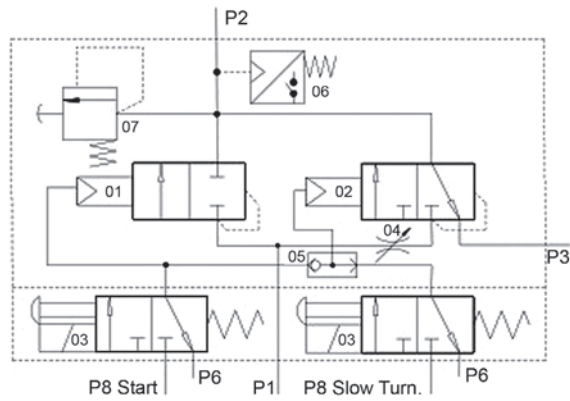
The built-in throttle allows optimising the slow turn rate individually during shop-test or engine maintenance.

Function	Valve combination consisting of: 01 = 1 × 2/2-way Valve DN 50 (NC) 02 = 1 × 3/2-way Valve DN 13 (NC) 03 = 2 × 3/2-way Valve DN 1.8 (NC) 04 = 1 × throttle DN 2 ... 13 mm 05 = 1 × 2-way Valve 06 = 1 × Pressure Switch (optional) 07 = 1 × Safety Valve 45 bar (optional)
Operating pressure	P1: 10 ... 30 bar
Pilot pressure	P8: $P1 \pm 1$ bar
Test pressure (static)	1.5 × 30 bar = 45 bar
DN (Main Valve) DN (Slow Turn Valve)	50 mm or 63 mm 13 mm
Connection	Port No. P1: Flange PN 40 / 50 Port No. P2: Flange PN 40 / 50 Port No. P8: M14 × 1.5
Material	Valve body: Aluminium anodised Piston: Aluminium Seals: FPM/NBR
Mounting position	Arbitrary
Media	Compressed air according ISO 8573.1 - Particles: Quality 5 - Dew point: Quality 5 - Oil content: Quality 3
Ambient temperature	-20°C ... +65°C
Flow rate Flow rate (slow turn)	Kv 48 m ³ /h (Dn 50); Kv 66 m ³ /h (Dn 63) Kv 0.1 ... 4 m ³ /h (Dn 50); Kv 0.1 ... 4 m ³ /h (Dn 63)
Leakage	External: Bubble free Internal: ≤ 0.12 Nl/h
Solenoid	Type 2-A-37 24V DC, 11 Watt, -20°C ... +100°C, IP 65 Intermittent duty cycle S3 10% – 10 min



Order information

Type	Art.-No.	Weight
2922	234.426.00	11.2 kg
2875	167.040.00	13.5 kg



A

