



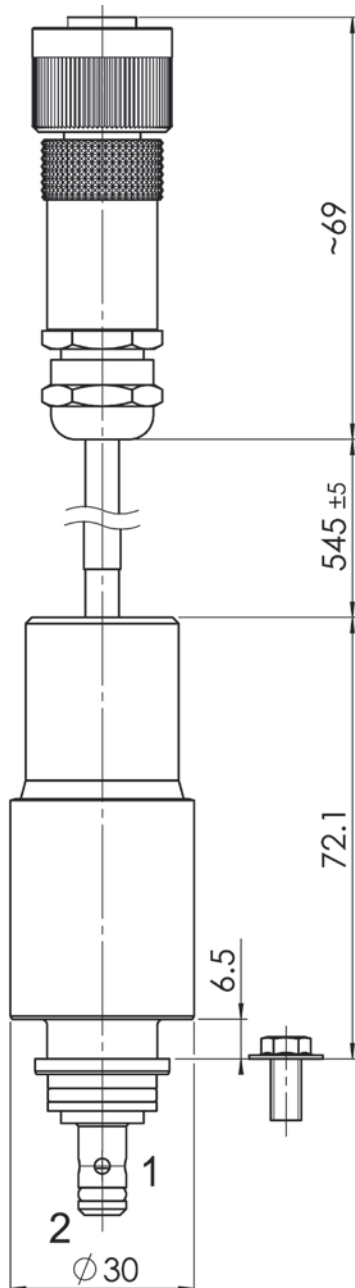
Prechamber Valves for Fuel Distribution Systems

Prechamber Valves are specially designed for fast and reliable injection in gas engines. The Prechamber Valves can also be used as Main Injection Valve in engines up to 400 kW.



Prechamber Valve

Function	2/2-way solenoid valve NC
Pressure range	0 ... 4 bar
DN	1.8 mm
Connection	Bayonet nut connector
Material	Valve body: Stainless steel Nozzle: Stainless steel Seals: Viton
Mounting position	Arbitrary
Media	Natural gas or compressed air according ISO 8573.1 - Particles: Quality 5 - Pressure of dew point: Quality 5 - Oil content: Quality 3
Ambient temperature	- 20 °C ... (+60/100 °C)
Flow rate	Kv 0.11 m ³ /h
Leakage	External: Bubble free Internal: <0.12 Nl/h
Solenoid	24V DC +10% – 15%, 40 Watt
Response time	Fully open in 3 ms Fully closed in 3 ms
Expected life time	Up to 300 million cycles



Order information

Type	Construction	Art.-No.	Weight
2671	Bosch Car Connector	126.348.00	0.30 kg
2671C	Cable 1500 mm length	157.069.00	0.34 kg
2671S	Cable 280 mm/Cannon Con.	167.362.00	0.70 kg
2671S	Cable 540 mm/Cannon Con.	183.473.00	0.80 kg