

PRODUCT INFORMATION

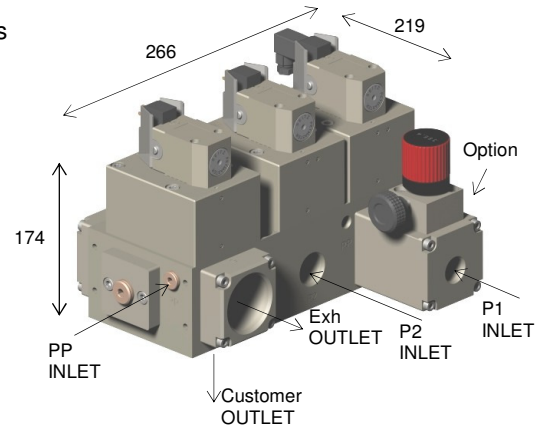
SEITZ UNIBLOW II ©

APPLICATION AND FUNCTION

The blowing valve unit UNIBLOW II is specially designed for the application of preblowing, blowing and exhausting of PET, PP and other blow moulding materials in rotary and linear operating machines for bottle sizes typically up to 20 litre volume. Optionally air recuperation valve and/or flow regulator for preblowing can be flanged as an option.

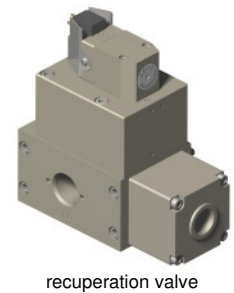
YOUR BENEFITS

- ✓ Ports P1, P2, EXH lockable from both sides
- ✓ Flow restrictor with nearly linear curve
- ✓ Highly precise repeatability ± 1ms
- ✓ Life cycle more than 25 Mio.
- ✓ Reduced dead volume
- ✓ Shortest exhaust times
- ✓ Wearing parts accord FDA H11
- ✓ retrofitable options
- ✓ Flangable blowing cylinder



TECHNICAL FEATURES

Function	3 x 2/2-way solenoid valve, NC
Preblowing pressure (P1)	3 ... 20 bar
Blowing pressure (P2)	max. 40 bar
Pilot pressure (PP)	6 ... 8 bar
Life cycle	more than 25 Mio. switching cycles
Switching repeatability	+/- 1 ms
Dead volume	less than 126 cm ³ (standard configuration)
Weight	8.9 Kg (standard configuration)



Solenoids	
Voltage	24 VDC ± 10%
Power consumption	max. 2,5 W
Operating	external air supply
Housing material	coated Aluminium

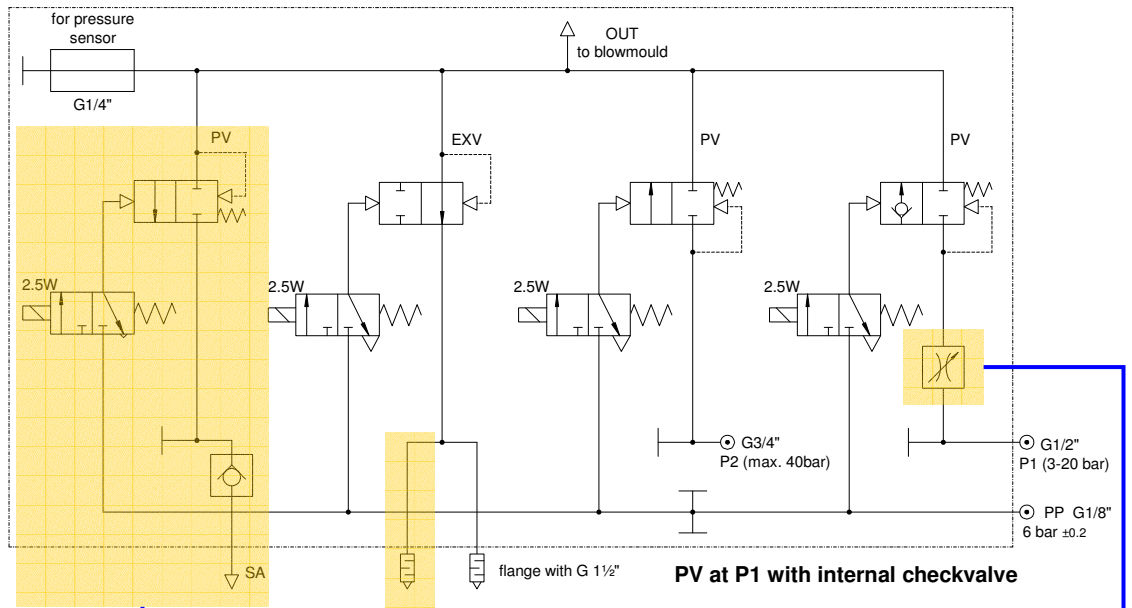
Port Connections	
Ports	P1= G 1/2 ; P2= G 3/4
Exhaust	G 1 1/2 (optionally NPT 1 1/2 or NPT 1 1/4)
Pilot pressure	G 1/8

Options	flow regulator, air recuperation valve, cooling, silencer
Media	air, quality according to ISO 8573-1, quality class 2.3.2
Temperature	media 10 ... 30 °C / ambient 10 ... 50 °C
Standards	FDA H11

PRODUCT INFORMATION

SEITZ UNIBLOW II ©

PNEUMATIC SCHEME



OPTIONS

- Air Recuperation
- Additional EXH
- Flow regulator
- Cooling
- Silencer

ORDER INFORMATION

Order no.	174.548.00	UNIBLOW II
Order no.	173.513.00	UNIBLOW II with flow regulator
Order no.	173.181.00	UNIBLOW II with recuperation and additional EXH
Order no.	173.182.00	UNIBLOW II with REC, additional EXH and Flow Regulator

Please contact our sales department for individual configuration.