

**PET PRODUCT INFORMATION**

**SEITZ Air Supply Unit (ASU) HiPER**

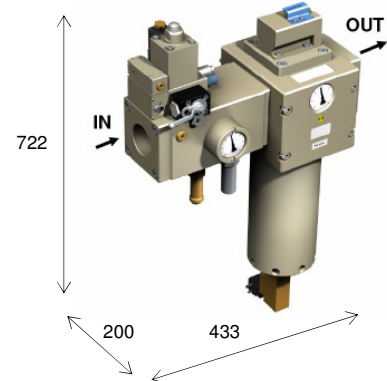
When performance and reliability is crucial turn to SEITZ Air Supply Units. The compact modular construction offers a wide range of application possibilities leading to a light and space saving ASU. Concept resulting in a simple and time saving mounting. The patented functional principle allows a remarkable higher flow rate and cost breaking improvements in production.

**APPLICATION AND FUNCTION**

**OUR TECHNOLOGY**

- ✓ Flow rate 4'500Nm<sup>3</sup>/h—5'500Nm<sup>3</sup>/h
- ✓ Slow start function
- ✓ Drainage with 2/2 way valve
- ✓ Relieve valve 1'800 Nm<sup>3</sup>/h
- ✓ Bidirectional filter 1µm
- ✓ Sensor for filter contamination

Fig.: ASU HiPER H



**TECHNICAL FEATURES**

Body material	Coated aluminium
Approval	FDA H11
Conformity	PED 97/23/EC

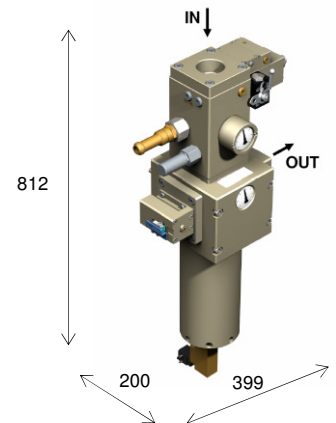
**OPERATING CONDITIONS**

Media	Compressed air according to ISO 8573-1 standardisation Classification as following: Solids: Quality class 2 (particle size: 1µm) or better Moisture: Quality class 3 (dewpoint: -20°C) or better Oil and Gas: Quality class 2 (0.1 mg/m <sup>3</sup> / 0.08 ppm) or better
Operating pressure	min. 20 bar / max. 46 bar
Media temperature	10 ... 35°C
Ambient temperature	10 ... 50°C
Nominal voltage	2 x 24 V DC
Voltage tolerance	± 10%
Connectors and connector cables	Use connector or connector cables with built-in "surge protection device"
Power consumption	1x10 W (automatic drain valve) 1x12 W (slow start function)

**OPTIONS**

Functional options	pressure sensor sensor (port 3) for different applications pilot valve instead Slow Start function automatic drain or manual valve
--------------------	---

Fig.: ASU HiPER V



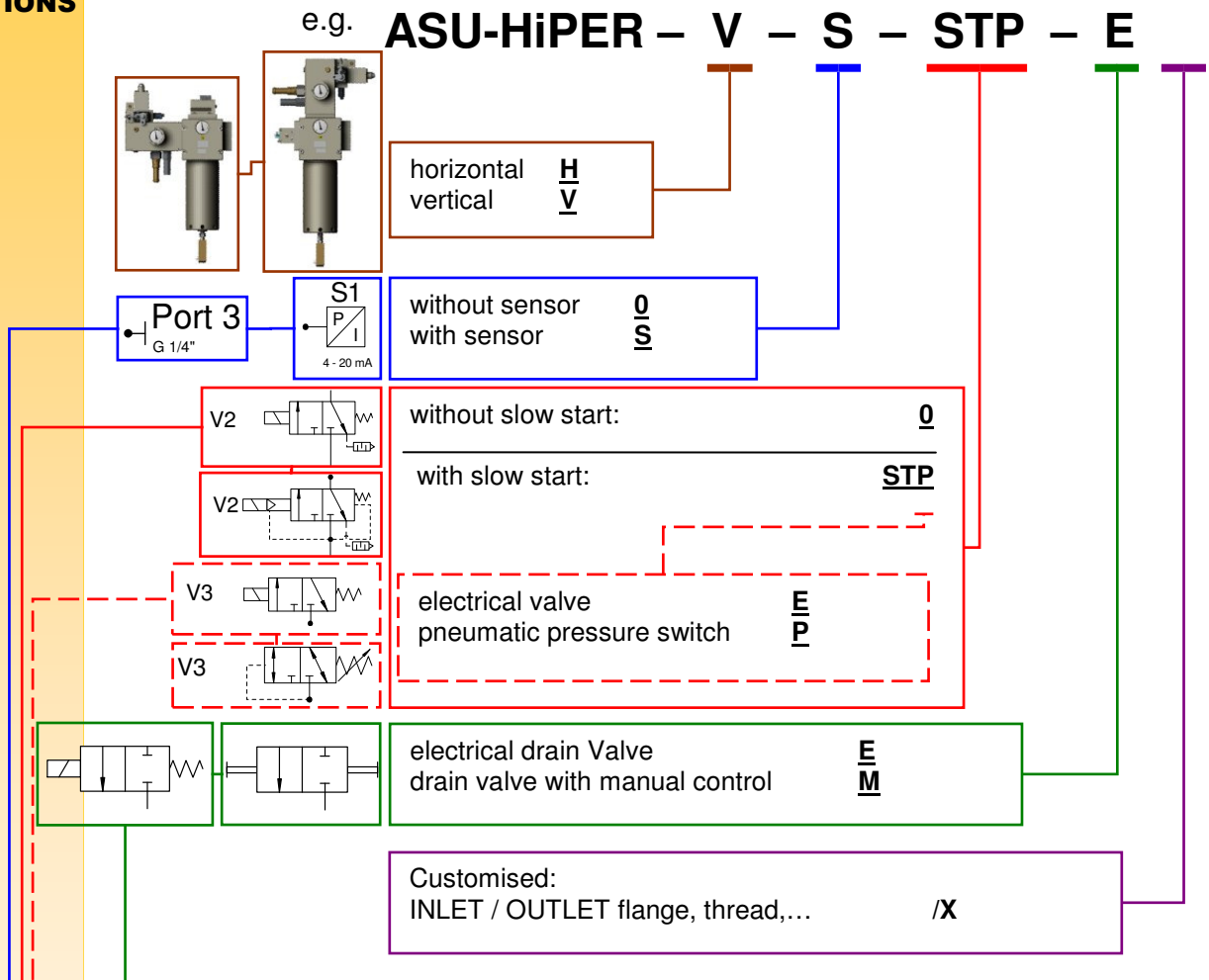
**ORDER INFORMATION**

Please contact our sales department for individual configuration.

PET PRODUCT INFORMATION

# SEITZ Air Supply Unit (ASU) HiPER

## CONFIGURATIONS



## PNEUMATIC SCHEME

