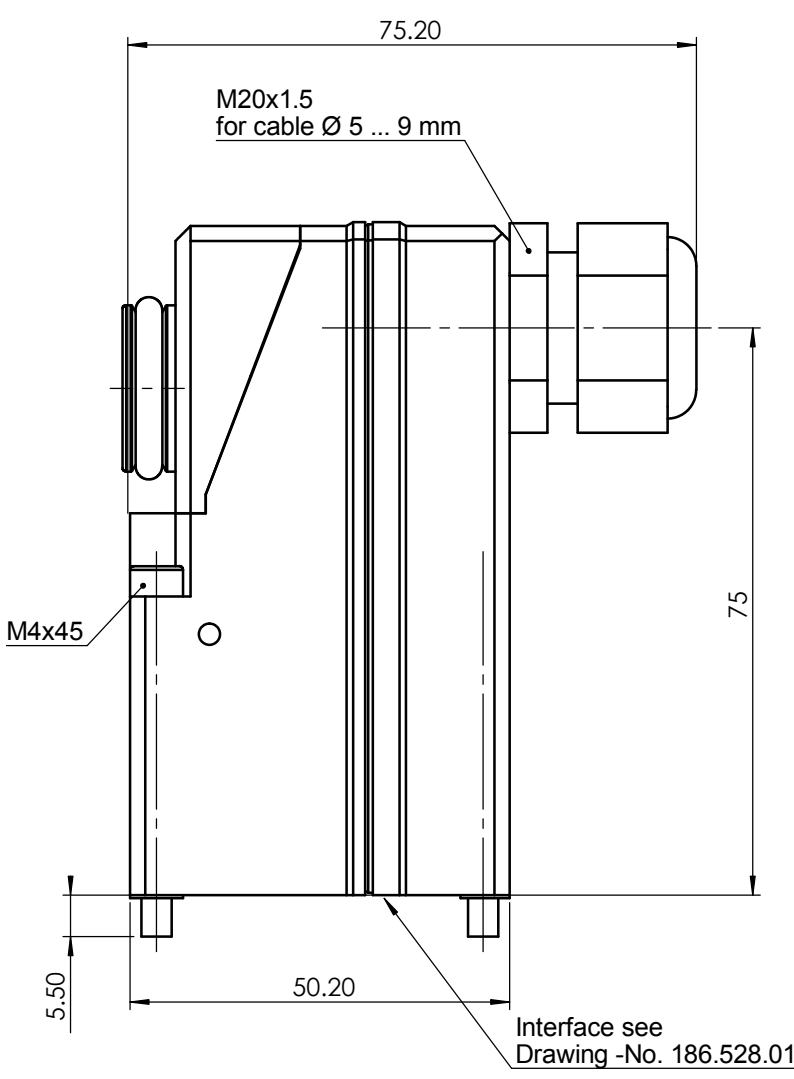


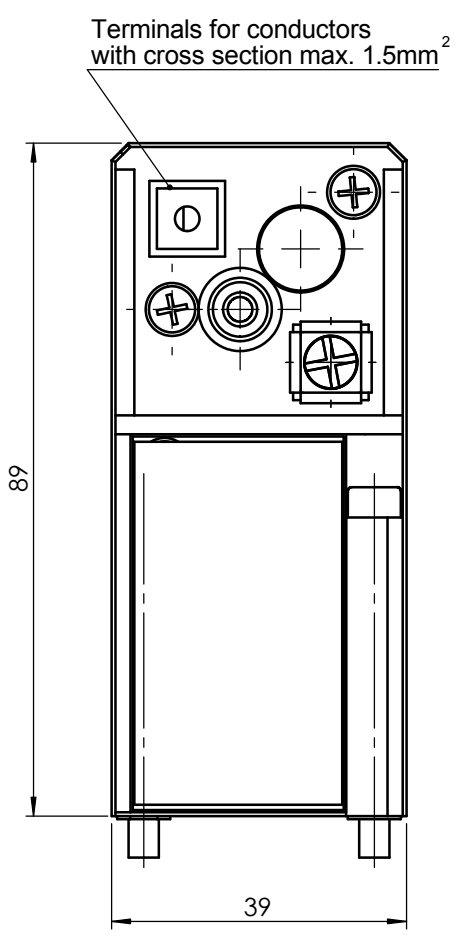
# 3/2-way pilot valve

Pilot operated

Pneumatic symbol 	PG	DW PV	Type	<b>PV 12F73 Xi oH 2</b>		
	Function	3/2 NC	ND	KV	Pressure	Manual control
Circuit diagram 	Medium	Dry, filtered compressed air		Air consumption	Weigh	
	Ambient and media temperature	-40 °C ... +80 °C / +60 °C		Minimum values for function		
Remark	Degree of protection according to EN 60 529	IP65		Maximum values for "intrinsic safety"		
	- 2 G EEx ia IIC T6 für -40 °C ... +60 °C			Ui = 40 V / li = 200 mA / Pi = 850 mW		
	- 2 G EEx ia IIC T5 für -40 °C ... +80 °C			- PTB 00 ATEX 2030		



## View without cover



# Datasheet

3D ID: 142.070.00

Selection sheet	4-127.677.00		Release	01		Drawn	12.08.2002	prm - Presente
Drawing class	G-Ex		Modification-No.	4931		Proved	12.08.2002	rej - Reimann
Scale	1:1		Modified	11.12.2006	hep - Hediger	Size	Drawing - /Part-No.	
Sheet	1	from 1	Data core	12.08.2002	fir - Fischer	<b>4</b>	<b>128.313.02</b>	
							Language	en

Mas- und Konstruktionsänderung vorbehalten

Das Urheberrecht an dieser Zeichnung verbleibt unserer Firma

eas-ventil-mb.de