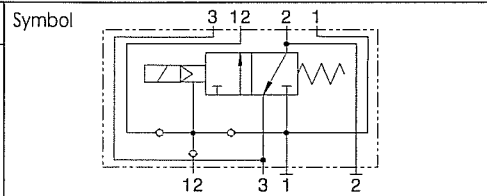


# 3/2-way solenoid valve

Pilot operated with optional pilot source (internal or external)

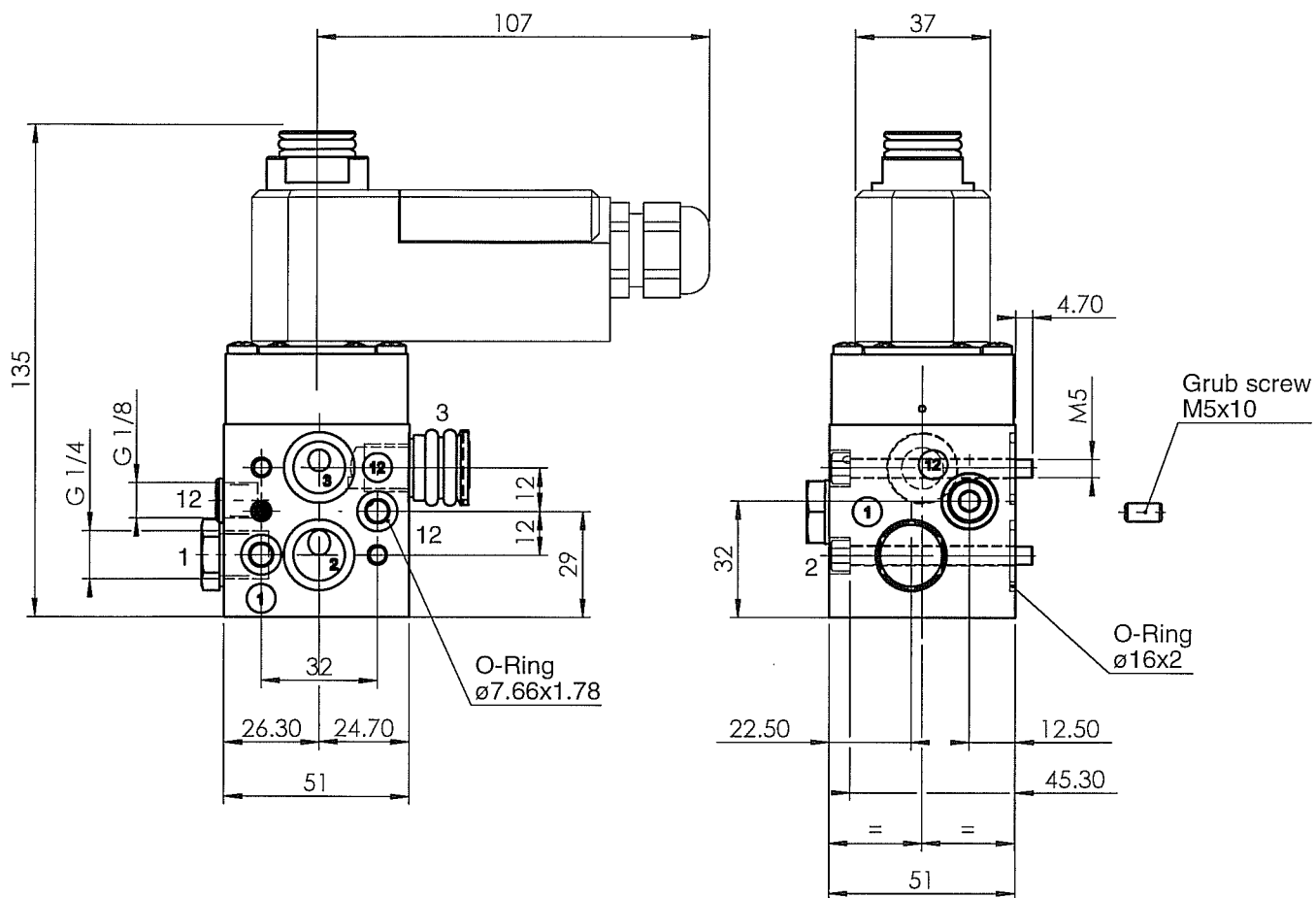
Group	CP 06
Remarks	- with NAMUR-interface - incl. mounting-set - AK 7 according to DIN V 19251 incl. TÜV-Certificate up to SIL 4 according to IEC 61508



Type	CP 0632 CPU oH i		
Orifice	Solenoid size	Manual control	
6	11 200mW	none	
Function	Drawn solenoid	Weight without solenoid	
NC	52	0,55 kg	

- Probability to failure of the safety function on demand PFD <math> < 2 \times 10^{-7}</math> at a confidence interval of 95%.
- The Safe Failure Fraction (SFF) according to table A1, IEC 61508-2 is greater or equal to 0,99.

**The valves are therefore suitable to be used in safety related systems with a Hardware Fault Tolerance of 1 or 2 up to and including SIL 4.**



ND [mm]	Kv-value [m3/h]		Main pressure [bar] Port 1	Pilot pressure [bar] Port 12	Remark
	Inlet	Exhaust			
6	0.5	0.65	1 ... 8	-	1)
			0 ... 8	min. 2	2)

Connection  
 1 = Inlet  
 2 = Consumer  
 3 = Exhaust  
 12 = Inlet of control fluid

- 1) For open / close valves
- 2) For control valves

## Layout

3D ID: 147.092.00

Selection sheet	4-126.061.00	Release	03	Drawn	13.08.2002	prm - Presente
Drawing class	G-TÜV	Modification-No.	4142	Proved	13.08.2002	ror - Röllli
Scale	1:2	Modified	12.01.2004	Size	Drawing-/Part-No. 147.093.02	
Sheet	1	Data care	13.08.2002	Language	en	

Subject to dimensional or design modification

Copyright on this drawing remains in our company

a4sm-ventil-mb-en