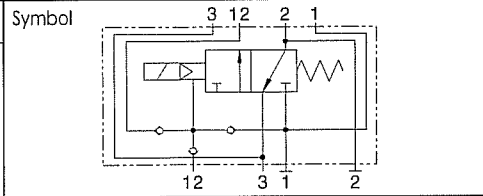


# 3/2-way solenoid valve

Pilot operated with optional pilot source (internal or external)

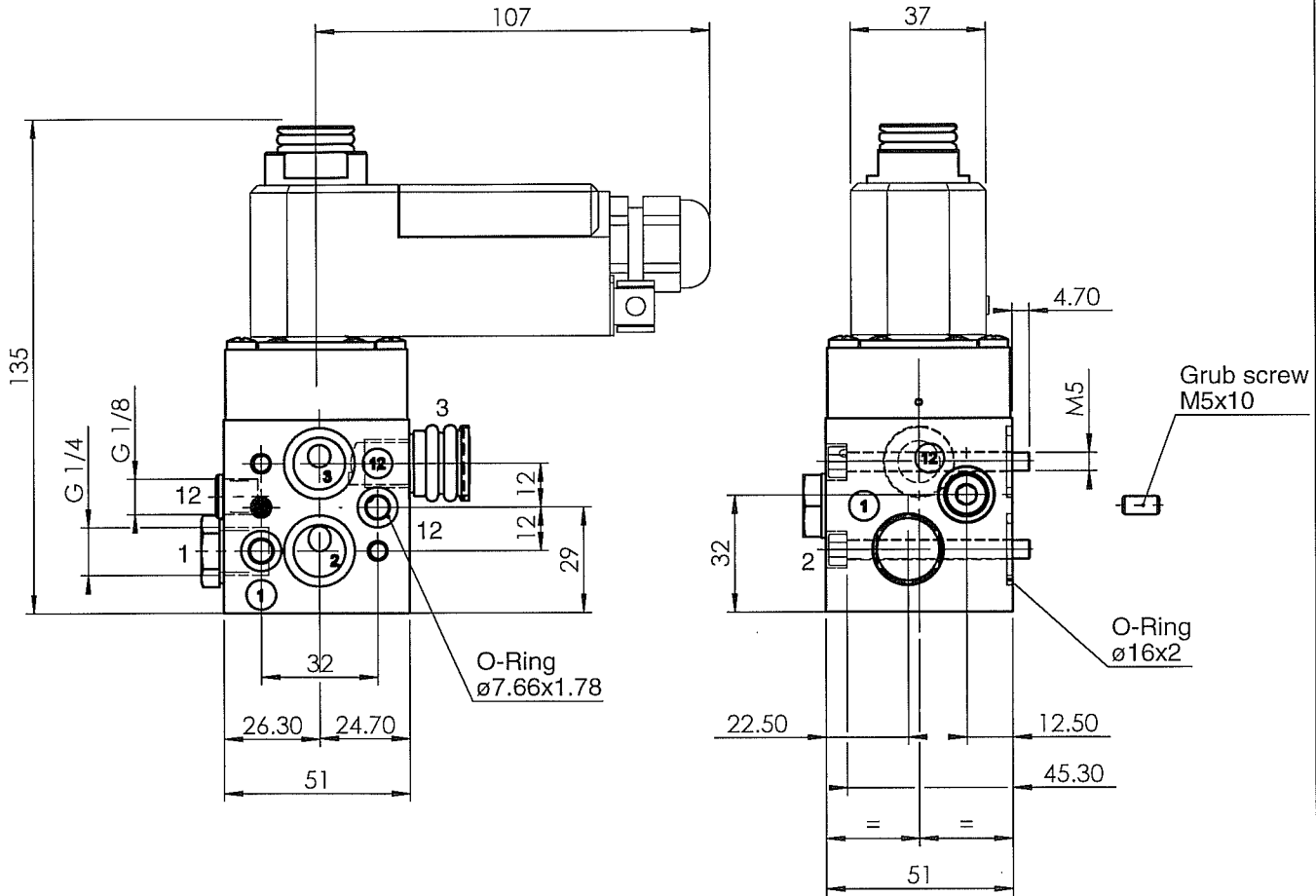
Group CP 06  
 Remarks  
 - with NAMUR-interface  
 - incl. mounting-set  
 - AK 7 according to DIN V 19251  
 incl. TÜV-Certificate



Type <b>CP 0632 CPU oH</b>		
Orifice 6	Solenoid size 11 1.8W	Manual control none
Function NC	Drawn solenoid 52, 53	Weight without solenoid 0,55 kg

- Probability to failure of the safety function on demand PFD < 2 x 10<sup>-7</sup> at a confidence interval of 95%.
- The Safe Failure Fraction (SFF) according to table A1, IEC 61508-2 is greater or equal to 0,99.

**The valves are therefore suitable to be used in safety related systems with a Hardware Fault Tolerance of 1 or 2 up to and including SIL 4.**



ND [mm]	Kv-value [m3/h]		Main pressure [bar] Port 1	Pilot pressure [bar] Port 12	Remark
	Inlet	Exhaust			
6	0.5	0.65	1 ... 8	-	1)
			0 ... 8	min. 2	2)

Connection  
 1 = Inlet  
 2 = Consumer  
 3 = Exhaust  
 12 = Inlet of control fluid

- 1) For open / close valves
- 2) For control valves

## Layout

3D ID: 145.410.00

Selection sheet	4-126.061.00	Release	04	Drawn	13.08.2002	prm - Presente
Drawing class	G-TÜV	Modification-No.	4142	Proved	13.08.2002	ror - Rölli
Scale	1:2	Modified	12.01.2004	Site	Drawing-/Part-No.	
Sheet	1	Data care	13.08.2002	4	127.476.02	
						Language en

Subject to dimensional or design modification

Copyright on this drawing remains in our company

a4sm-venill-rmb-en