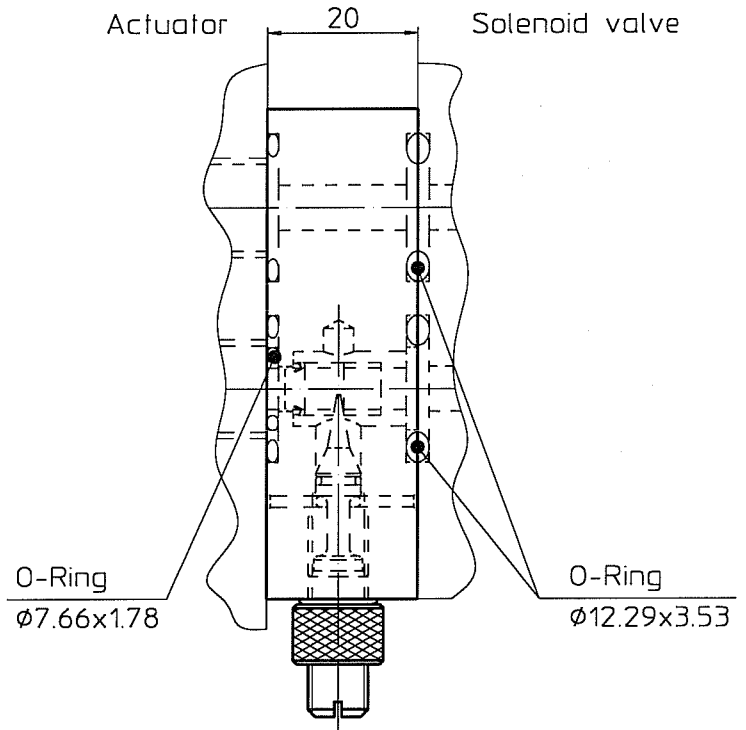
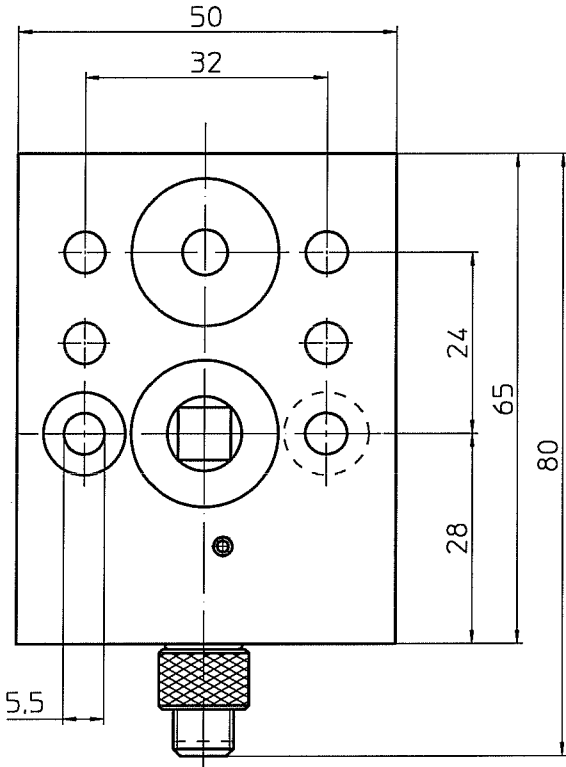


Flow Control plate

Remark: For 3/2 way solenoid valve

Group: —



Order-No.
126 938 00

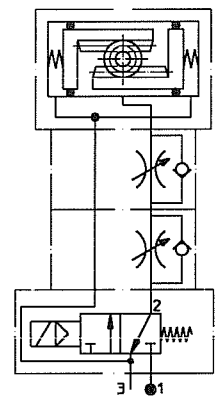
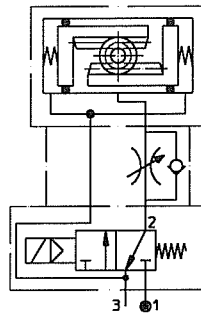
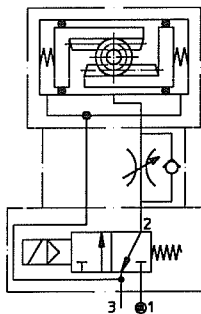
The Kit includes:

- 1 x Aluminium control plate with enamel surface treatment
- 2 x Screws M5x65 stainless steel
- 2 x Screws M5x70 stainless steel
- 2 x O-Ring Ø12.29x3.53
- 1 x O-Ring Ø16x2

To adjust opening time

To adjust closing time

To adjust opening and closing time



Drawing class

Dimensional drawing

Selection sheet:
4-119 277 00

Scale:
1:1

Draw.	11.01.00	pl				
Prov.	11.01.00		0	Release	11.01.00	
Seen	11.01.00		Rev.	AA	Date	Sig.

Size	Drawing No.		
4	126	936	02

remains in our company or design modification