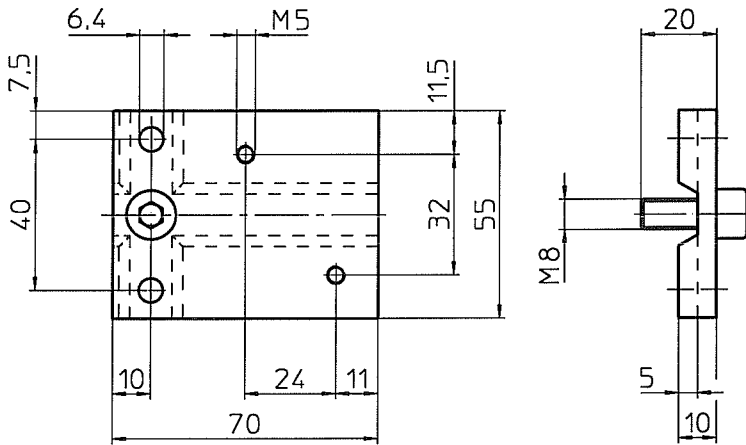


NAMUR-Mounting Plate Complete

Remark: to build on NAMUR-lantern or NAMUR-rod

Group: UV-05/CP-11/CP-12

Mounting Plate Complete (to build on NAMUR-lantern)

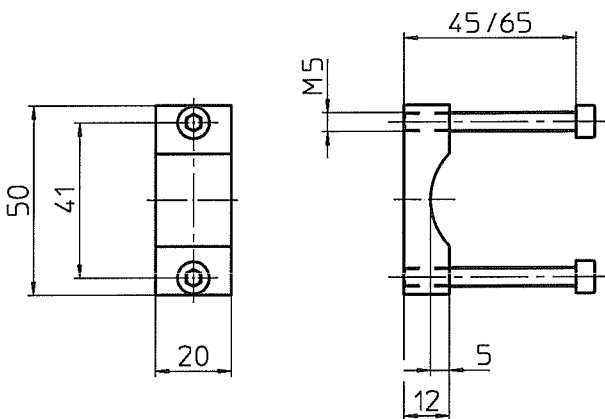


The kit includes:

- 1 Aluminium plate with ematal surface treatment
- 2 Screws M8x20 stainless steel

Order No.
126 391 00

Clamp Complete (to fix mounting plate on NAMUR-rod)




The kit includes:

- 1 Aluminium clamp with ematal surface treatment
- 2 Screws M5x45 stainless steel
- 2 Screws M5x65 stainless steel

for NAMUR-rod \varnothing 20 to \varnothing 35mm

Order No.
127 618 00

Subject to dimensional or design modification
copy, sign or this drawing remains in our company

 Drawing class	Dimensional drawing						Selection sheet:	Scale: 1:2
	Draw.	01.07.98	cu	1	2817	01.07.99	pl	Size
Prov.	01.07.98	rr	0	Release	01.07.98	rr	4	126 448 02
Seen	01.07.98	fj	Rev.	AA	Date	Sig.		