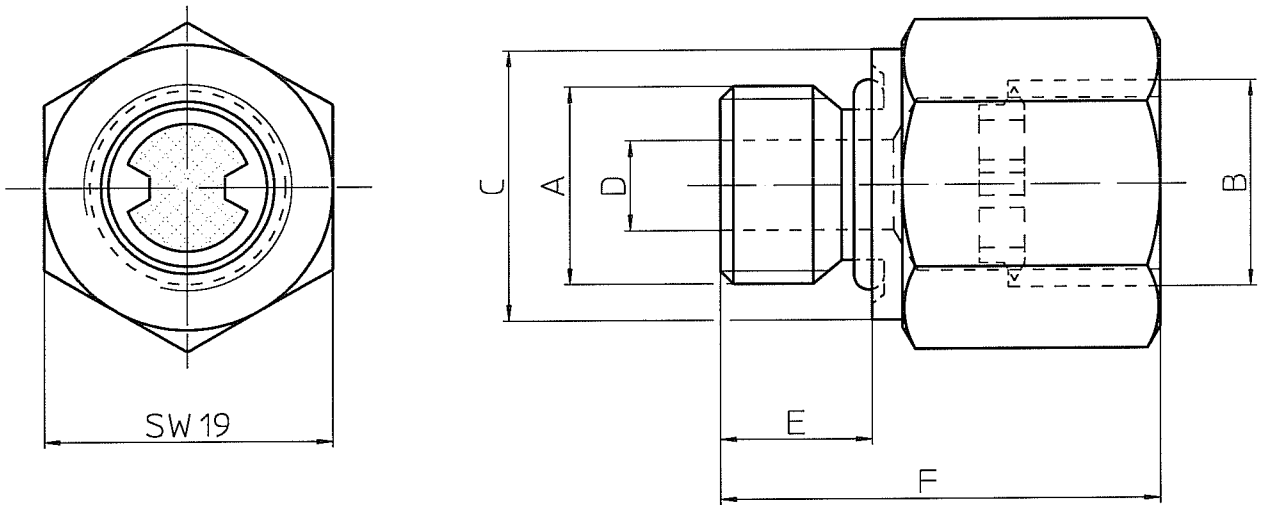


Adapter with filter

Remark: Mesh width 0,1 mm

Group:

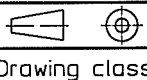
CP ..



A	B	C	D	E	F	Order No.
BSP1/4	NPT1/4	∅18	∅6	10	29	125 298 00
BSP1/4	BSP1/4	∅18	∅6	10	29	125 889 00
BSP1/8	NPT1/4	∅14	∅3	8	28	150 836 00
BSP1/8	BSP1/4	∅14	∅3	8	28	150 835 00

Technical data

Working pressure: max. 8bar
 Adapter : stainless steel
 Filter (sieve) : PA 6 and wire fabric
 with mesh width 0,1 mm
 Packing ring : nitril rubber



Drawing class

Dimensional drawing

Selection sheet:

Scale:
2:1

Draw.	24.11.98	pl	1	OHNE	03.12.02	pk	Size	Drawing No.		
Prov.	24.11.98	rr	0	Release	24.11.98	rr	4	125	435	02
Seen	24.11.98	fj	Rev.	AA	Date	Sig.				

Subject to dimensional or design modification

Copyright on this drawing remains in our company