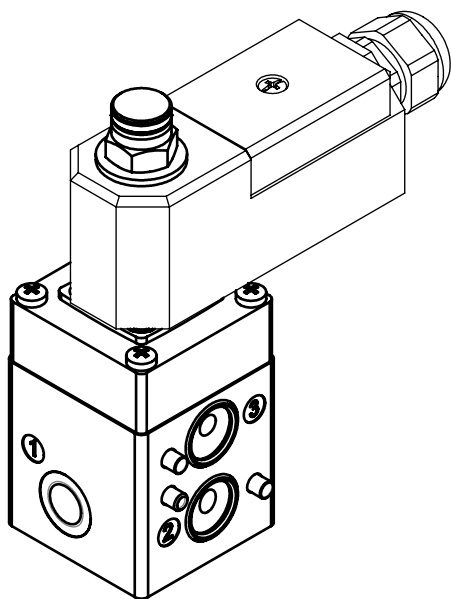
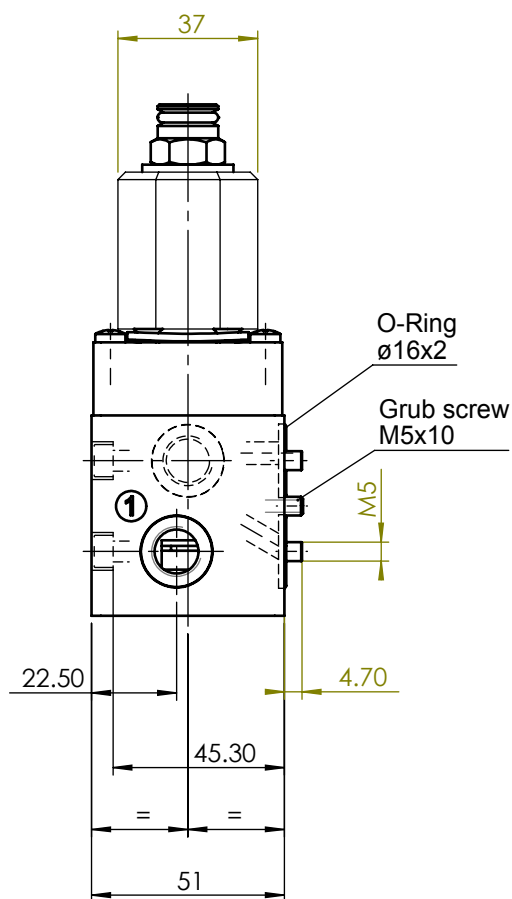
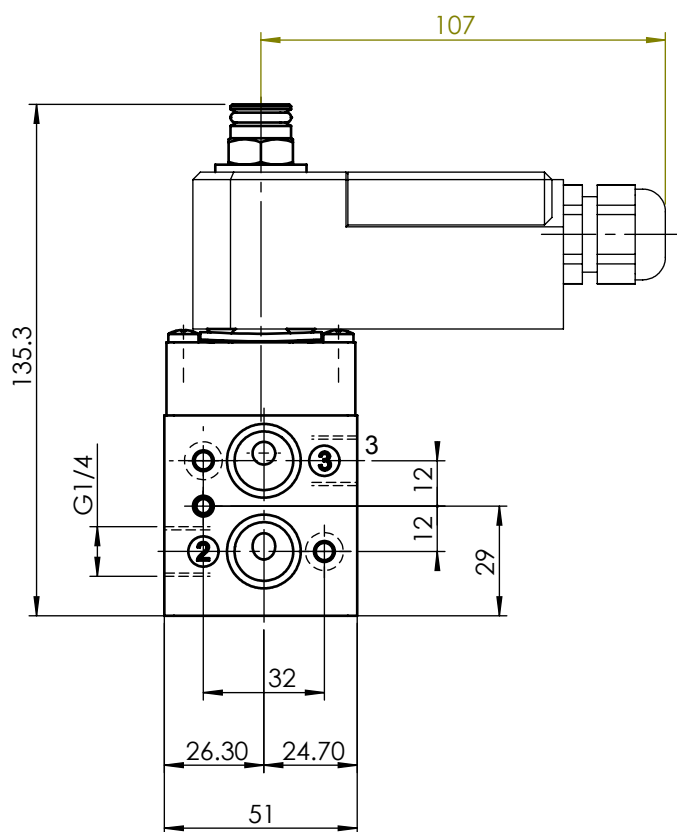


3/2-way solenoid valve

Pilot operated with own fluid

| | | | | | | | |
|---------|---|--------|--|----------|-------------------------|-------------------------|--|
| Group | CP 06 | Symbol | | Type | CP 0632 CNX oH i | | |
| Remarks | -with NAMUR-interface -incl. mounting-set -Solenoid can be rotated through 360° | | | Orifice | Solenoid size | Manual control | |
| | | | | 6 | 11 200mW | none | |
| | | | | Function | Drawn solenoid | Weight without solenoid | |
| | | | | NC | 52 | 0.55kg | |



Connection:

- 1 = Inlet
- 2 = Consumer
- 3 = Outlet

| ND [mm] | Kv-value [m ³ /h] | | pressure gas [bar] |
|---------|------------------------------|---------|--------------------|
| | Inlet | Exhaust | |
| 6 | 0.5 | 0.8 | 1 ... 8 |

Layout

3D ID: 142.640.00

| | | | | | | | | |
|-----------------|--------------|--------|------------------|------------|--------------|---------------------|-------------------|----------------|
| Selection sheet | 4-127.869.00 | | Release | 00 | | Drawn | 05.04.2002 | gs - Gfeller |
| Drawing class | | | Modification-No. | | | Proved | 03.05.2002 | rr - Röllli |
| Scale | 1:2 | | Modified | 03.05.2002 | gs - Gfeller | Size | Drawing-/Part-No. | |
| Sheet | 1 | from 1 | Data care | 03.05.2002 | fi - Fischer | 4 143.681.02 | | Language en |

Subject to dimensional or design modification

Copyright on this drawing remains in our company

o4sm-ventil-imb-en