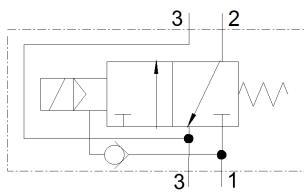


# 3/2-way solenoid valve

pilot operated with internal control air supply

Group CP 12

Symbol



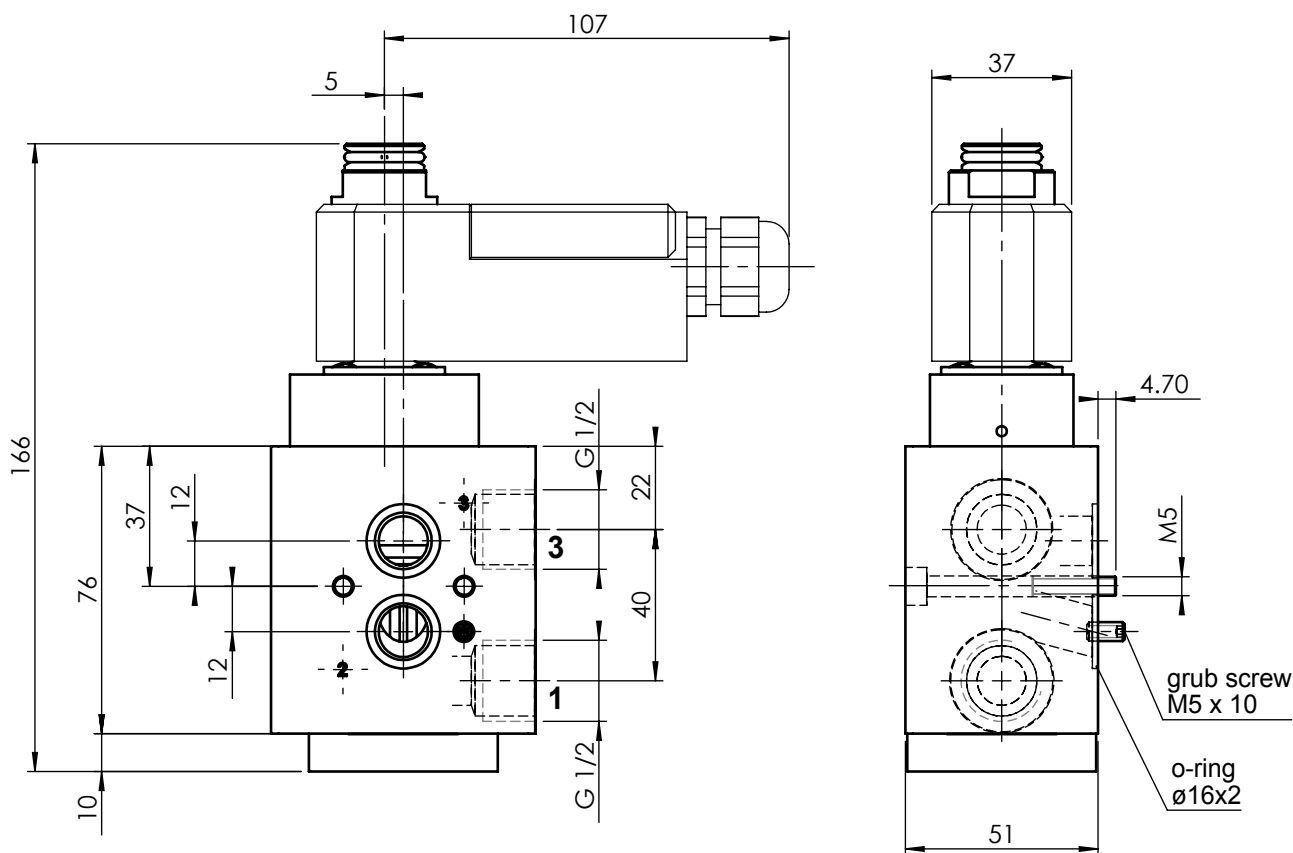
Remarks

- with NAMUR interface
- incl. mounting set
- solenoid can be rotated though 360°

Type

**CP 1232 CNE oH i**

Orifice <b>12</b>	Solenoid size <b>11 200mW</b>	Manual control <b>none</b>
Function <b>NC</b>	Drawn solenoid <b>52</b>	Weight without solenoid <b>0.88 kg</b>



ND [mm]		Kv-value [m <sup>3</sup> /h]		pressure gas [bar]
Inlet	Exhaust	Inlet	Exhaust	
12	12	2.4	3.3	2 ... 8

**Ports:**

- 1 = Inlet G 1/2
- 2 = Consumer NAMUR
- 3 = Spring chamber ventilation for quarter-turn actuators with spring return
- 3 = Outlet G 1/2

## Layout

3D ID: 162.606.00

Selection sheet	4-126.427.00	Release	02	Drawn	06.05.2004	prm - Presente
Drawing class		Modification-No.	4764	Proved	06.05.2004	ror - Rölli
Scale	1:2	Modified	17.02.2006	Size	Drawing-/Part-No.	
Sheet	1	Administration	06.05.2004	Language	en	
				<b>4</b>	<b>162.608.02</b>	

Subject to dimensional or design modification

Copyright on this drawing remains in our company

o4sm-ventil-imb-en