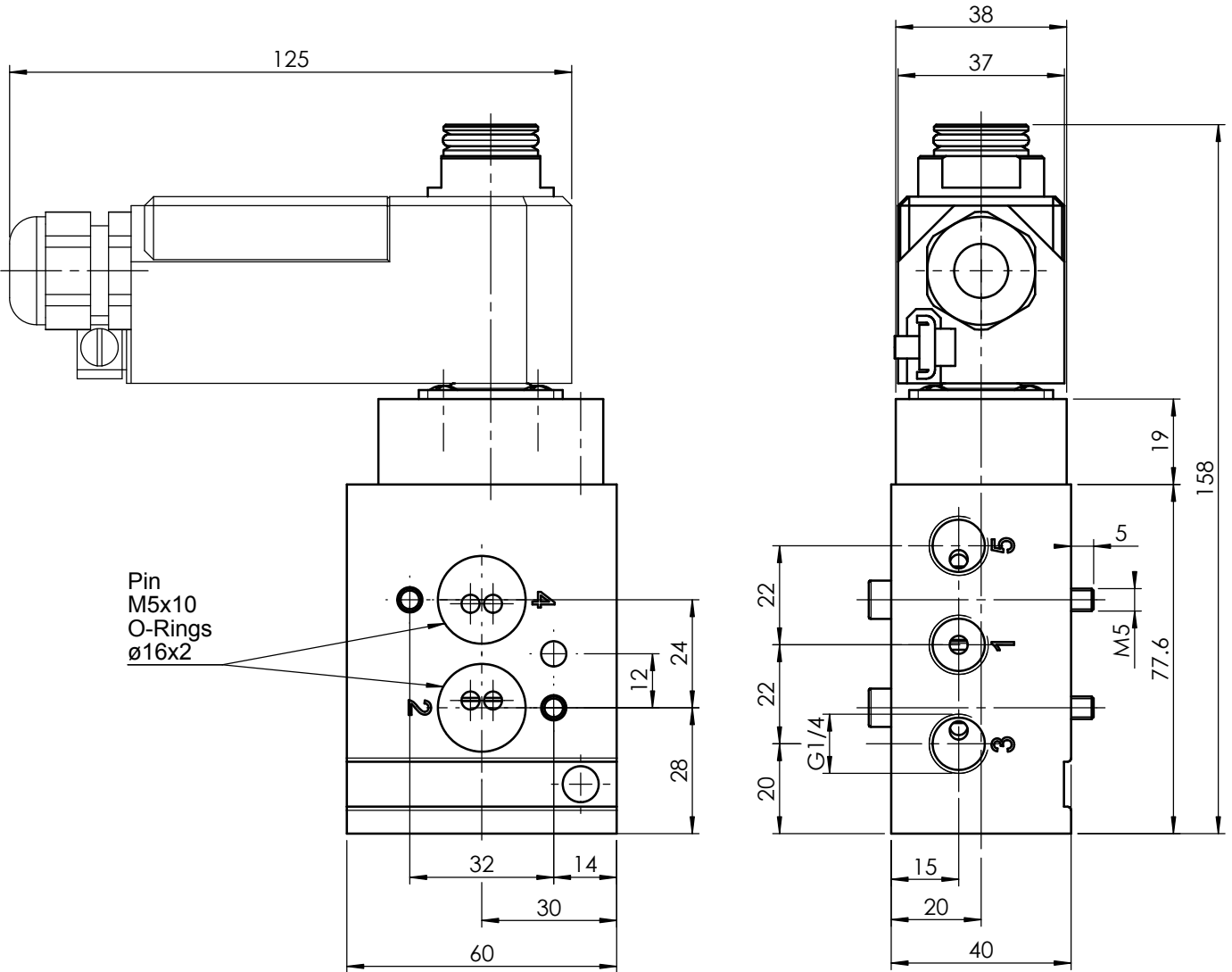


5/2 way solenoid valve

Pilot operated with own fluid

Group	CP 06	Symbol			
Remarks	- with NAMUR-Interface - incl. mounting-set - Solenoid can be rotated through 360°		Type	CP 0652 -NE oH	
	Orifice	Solenoid size	Manual control		
	6	11 / 1.8W	none		
	Function	Drawn solenoid	Weight without solenoid		
		52, 53	0.62kg		



DN [mm]	Kv [m³/h]	Pressure gas [MPa]
6	0.66	0.2 ... 0.8

Connections:

- 1 = Inlet: G1/4
- 2 = Consumer: NAMUR
- 3 = Outlet: G1/4
- 4 = Consumer: NAMUR
- 5 = Outlet: G1/4

Layout

3D ID: 173.567.00

Selection sheet		126.179.00		Release		01		Drawn		10.08.2005		ksb - Kuster Sold	
Drawing class				Modification-No.		OHNE		Proved		16.09.1999		ror - Rölli	
Scale	1:1.5			Modified	10.08.2005	ksb - Kuster Sold		Size	Drawing-/Part-No.			Language	
Sheet	1	from	1	Administration	12.08.2005	fir - Fischer		4	126.180.02			en	

Subject to dimensional or design modification

Copyright on this drawing remains in our company

o4sm-ventil-mb-en