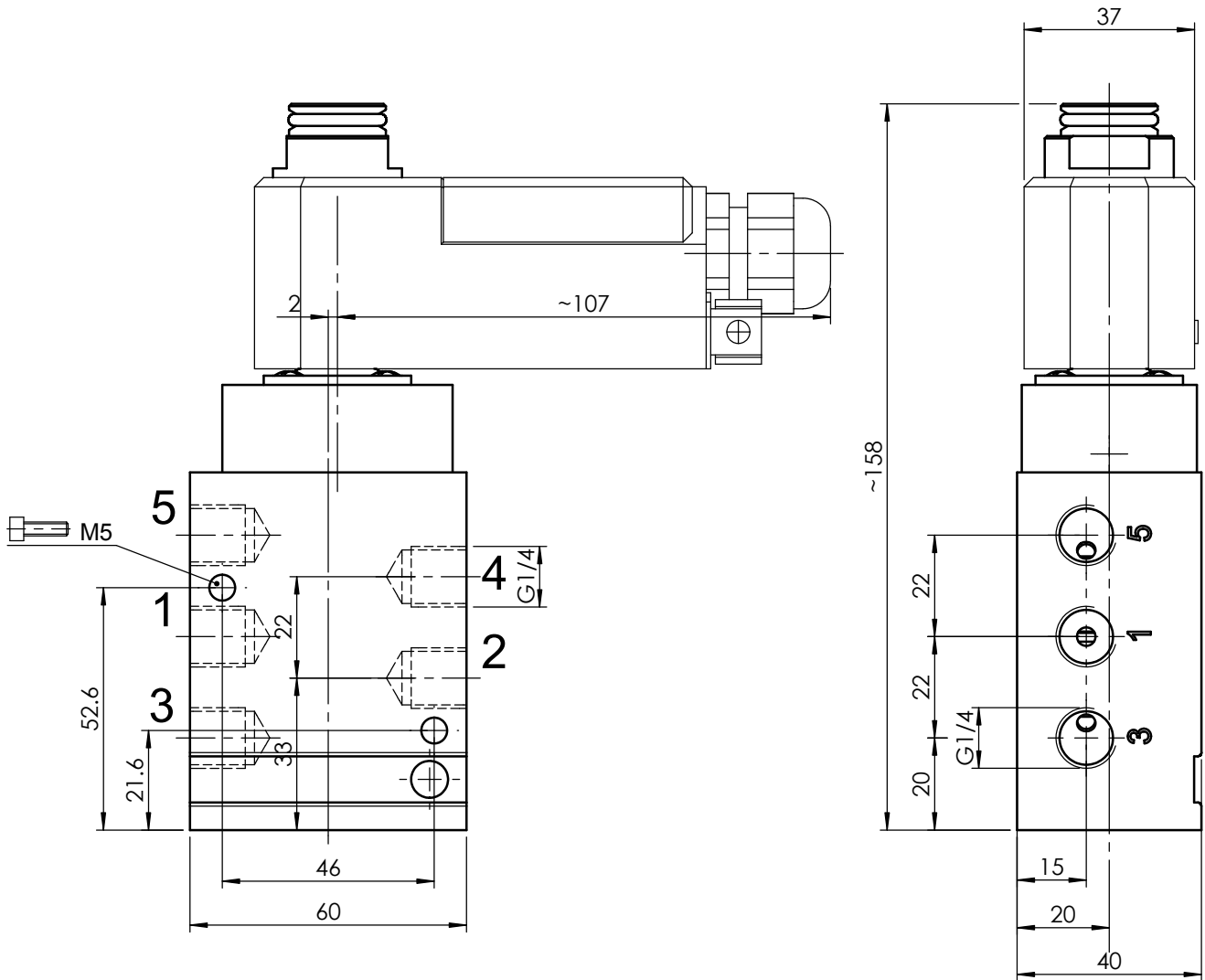


# 5/2-way solenoid valve

Pilot operated with own fluid

Group	CP 06	Symbol			
Remarks	- Solenoid can be rotated through 360°		Type	<b>CP 0652 -GE oH</b>	
			Orifice	Solenoid size	Manual control
			6	11 / 1.8W	none
			Function	Drawn solenoid	Weight without solenoid
			-	52, 53	0.62kg



**Connection:**

- 1 = Inlet: G1/4
- 2 = Consumer
- 3 = Outlet: G1/4
- 4 = Consumer
- 5 = Outlet: G1/4

ND [mm]	Kv [m <sup>3</sup> /h]	Pressure gas [MPa]
6	0.66	0.2 ... 0.8

## Layout

3D ID: 175.057.00

Selection sheet		126.108.00		Release		02		Drawn		04.10.2005		ksb - Kuster Sold	
Drawing class				Modification-No.		OHNE		Proved		25.01.2000		ror - Rölli	
Scale	1:1.5			Modified	04.10.2005	ksb - Kuster Sold		Size	Drawing-/Part-No.			Language	
Sheet	1	from	1	Administration	10.10.2005	fir - Fischer		4	<b>126.109.02</b>			en	

Subject to dimensional or design modification

Copyright on this drawing remains in our company

o4sm-ventil-mb-en