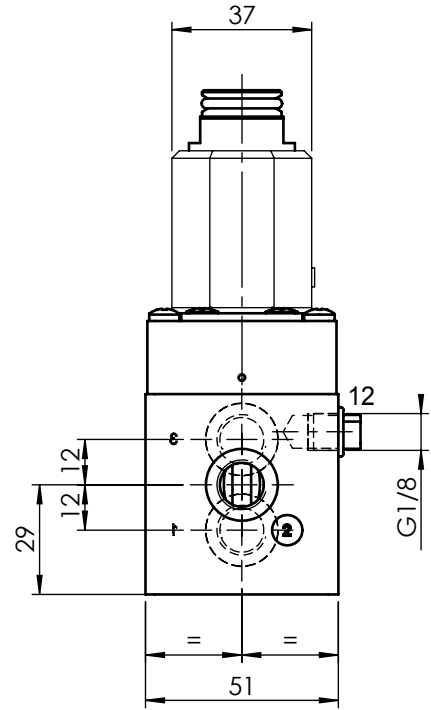
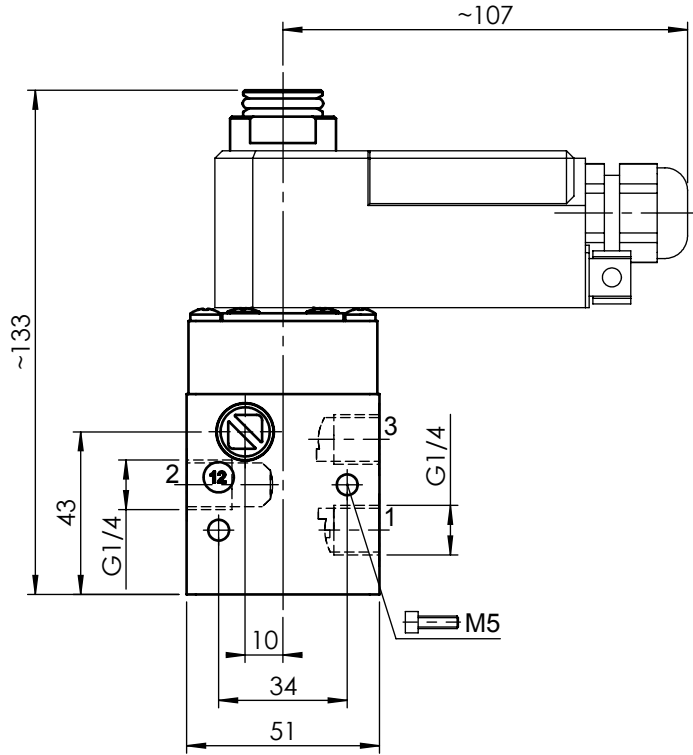


3/2-way solenoid valve

Pilot operated with internal or external control air supply

Group	CP06	Symbol		Type	CP 0632 CGK oH		
Remarks	- Solenoid 360° turnable			ND	Solenoid size	Manual control	
				6	11 1.8 W	none	
				Function	Drawn solenoid	Weight without solenoid	
				NC	52, 53	0.55 kg	

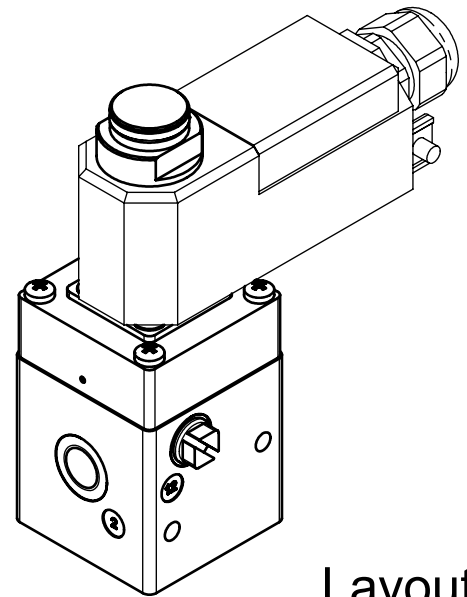


Connection

- 1 = Inlet
- 2 = Consumer
- 3 = Exhaust
- 12 = Inlet of control fluid

ND [mm]	Kv-value [m3/h]		Main pressure [bar]		Pilot pressure [bar]	Remark
	Inlet	Exhaust	Port 1	Port 12		
6	0.72	1.4	2 ... 8	-	1)	
			0 ... 8	min. 2	2)	

- 1) For open / close valves
- 2) For control valves



Layout

3D ID: 145.554.00

Selection sheet	4-126.057.00		Release	02		Drawn	29.11.2002	ksb - Kuster Sold	
Drawing class			Modification-No.	5053		Proved	04.12.1998	ror - Rölli	
Scale	1:2		Modified	17.09.2007	hep - Hediger	Size	Drawing-/Part-No.		Language
Sheet	1	of 1	Administration	04.12.1998	fir - Fischer	4	125.762.02		en

Subject to dimensional or design modification

Copyright on this drawing remains in our company

o4sm-ventil-mb-en