



SEITZ TopValve S3

Optimize your profit with high pressure.

Fifty years of high-tech valve technology

Fifty years of experience in valve technology makes EUGEN SEITZ one of the leaders in the field of high pressure valve technology (250/350 bar). When performance and reliability are crucial, turn to SEITZ for high-tech valve technology and products to set you apart from your competitors. SEITZ is certified ISO 9001:2000 standard in order to guarantee top quality of its products.

Application

SEITZ TopValve is specially designed to meet the particular requirements of CNG applications. The pilot operated valve is installed in dispensing units as well as in compressors and storage systems of CNG stations. Extensive field tests on different continents have proved the high quality standard of this new SEITZ TopValve product line.

Our technology

- optimized flow rate
- can be installed as needed
- sturdy construction
- longer maintenance rate
- best price-performance ratio
- reliable valve technology

Your Benefits

- faster filling
- more flexible mounting positions
- longer operation period
- higher economic efficiency
- lower installation costs
- higher safety



Product Information

Seitz TopValve S3

Technical features

Function	2/2-way solenoid valve, NC
Pressure range	10 ... 350 bar
Test pressure	525 bar
Burst pressure	1400 bar

Housing material stainless steel

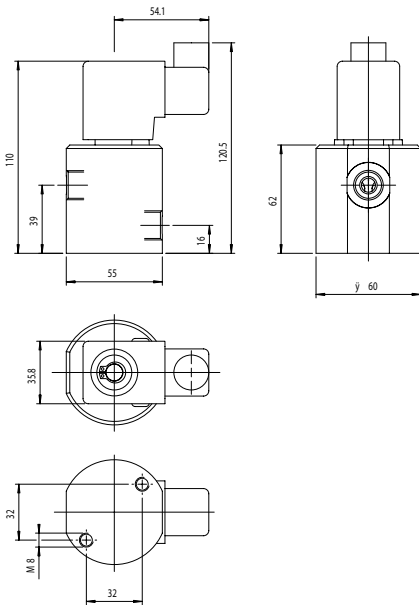
Mounting position any

Media natural gas

Ambient temperature -20° ... +50°C

Rated voltage
 24 V DC (10W)
 24 V AC (7W / 12VA)
 110 V AC (7W / 12VA)
 230 V AC (7W / 12VA)

EC-type-examination
 PTB 05 ATEX 2050X
 II 2 G EEx m II T4
 II 2 D IP 65 T130°C



Order Information

Part no.	Port Connections	Orifice Size	Weight (without solenoid)	Flow Rate
203.241.00	G 3/8	8 mm	1.3 kg	Kv = 0.96 m³/h
203.362.00	SAE 6 (UNF 9/16-18)	8 mm	1.3 kg	Cv = 1.1 USGPM
170.692.00	G 1/2	12 mm	1.8 kg	Kv = 2.3 m³/h
171.499.00	SAE 8 (UNF 3/4 - 16)	12 mm	1.8 kg	Cv = 2.7 USGPM
176.831.00	G 1	18 mm	3.7 kg	Kv = 6.6 m³/h

Part no.	Rated voltage	Weight
171.045.024D	24 V DC	0.5 kg
171.046.024R55	24 V AC	0.5 kg
171.046.110R55	110 V AC	0.5 kg
171.046.230R55	230 V AC	0.5 kg



seitz

Eugen Seitz AG · Head Office Spitalstrasse · 204 8623 Wetzikon · Switzerland
 Phone +41 44 931 80 80 · Fax +41 44 931 80 90 · afs@seitz.ch · www.seitz.ch

Eugen Seitz GmbH · Beindersheimer Strasse 46 · 67227 Frankenthal · Germany
 Phone +49 6233 35 61 11 · Fax +49 6233 35 61 22 · u.boehnlein@eugenseitz.de

Eugen Seitz Co., Ltd Shanghai, Representative Office · RM 302, No. 2, Lane 58 Xinjian East Road · 20110 Shanghai · PR of China
 Phone +86-21-33633880 · Fax +86-21-33633883 · www.seitz.ch (english), www.seitz.cn (chinese) · jason@seitz.cn

