



SEITZ TopValve S2

Optimize your profit with high pressure.

Fifty years of high-tech valve technology

Fifty years of experience in valve technology makes EUGEN SEITZ one of the leaders in the field of high pressure valve technology (250/350 bar). When performance and reliability are crucial, turn to SEITZ for high-tech valve technology and products to set you apart from your competitors. SEITZ is certified ISO 9001:2000 standard in order to guarantee top quality of its products.

Application

SEITZ TopValve is specially designed to meet the particular requirements of CNG applications. The pilot operated valve is installed in dispensing units as well as in compressors and storage systems of CNG stations. Extensive field tests on different continents have proved the high quality standard of this new SEITZ TopValve product line.

Our technology

- optimized flow rate
- can be installed as needed
- sturdy construction
- longer maintenance rate
- best price-performance ratio
- reliable valve technology

Your Benefits

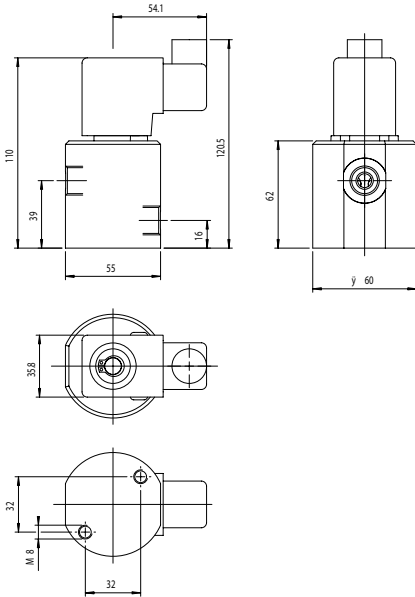
- faster filling
- more flexible mounting positions
- longer operation period
- higher economic efficiency
- lower installation costs
- higher safety



Product Information

Seitz TopValve S2

Technical features



Function	2/2-way solenoid valve, NC
Pressure range	10 ... 250 bar
Test pressure	375 bar
Burst pressure	1000 bar
Housing material	stainless steel
Mounting position	any
Media	natural gas
Ambient temperature	-20° ... +50°C
Rated voltage	24 V DC (10W) 24 V AC (7W / 12VA) 110 V AC (7W / 12VA) 230 V AC (7W / 12VA)
EC-type-examination	PTB 05 ATEX 2050X II 2 G EEx m II T4 II 2 D IP 65 T130°C

Order Information

Part no.	Port Connections	Orifice Size	Weight (without solenoid)	Flow Rate
169.974.00	G 3/8	8 mm	1.3 kg	Kv = 0.96 m³/h
171.420.00	SAE 6 (UNF 9/16-18)	8 mm	1.3 kg	Cv = 1.1 USGPM
171.449.00	G 1/2	12 mm	1.8 kg	Kv = 2.3 m³/h
171.500.00	SAE 8 (UNF 3/4 - 16)	12 mm	1.8 kg	Cv = 2.7 USGPM

Part no.	Rated voltage	Weight
171.045.024D	24 V DC	0.5 kg
171.046.024R55	24 V AC	0.5 kg
171.046.110R55	110 V AC	0.5 kg
171.046.230R55	230 V AC	0.5 kg



seitz

Eugen Seitz AG · Head Office Spitalstrasse · 204 8623 Wetzikon · Switzerland
Phone +41 44 931 80 80 · Fax +41 44 931 80 90 · afs@seitz.ch · www.seitz.ch

Eugen Seitz GmbH · Beindersheimer Strasse 46 · 67227 Frankenthal · Germany
Phone +49 6233 35 61 11 · Fax +49 6233 35 61 22 · u.boehnlein@eugenseitz.de

Eugen Seitz AG Shanghai, Representative Office · 22E, Huadu Mansion, Zhangyang Road 838 · 200122-Shanghai · PR of China
Phone +86 21 5820 8947 · Fax +86 21 6875 4669 · helen@seitz.cn

