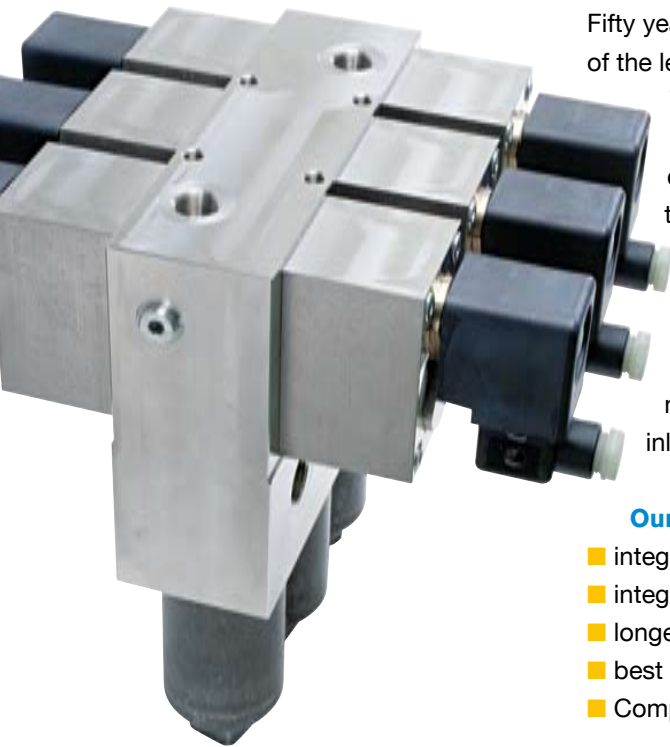




## SEITZ TopValve B3

# Optimize your profit with compact design.



### Fifty years of high-tech valve technology

Fifty years of experience in valve technology makes EUGEN SEITZ one of the leaders in the field of high pressure valve technology (250/350 bar).

When performance and reliability are crucial, turn to SEITZ for high-tech valve technology and products to set you apart from your competitors. SEITZ is certified ISO 9001:2000 standard in order to guarantee top quality of its products.

### Application

Seitz TopValve B3 is a compact block which allows different designs depending on application. The block valves include non-return-valves and are optionally equipped with filters for each inlet (low, medium, high).

### Our technology

- integrated non-return-valves
- integrated filter
- longer maintenance rate
- best price-performance-ratio
- Compact and slim design

### Your Benefits

- higher safety
- longer life time
- higher economic efficiency
- lower installation costs
- easy installation

# Product Information

## Seitz TopValve B3

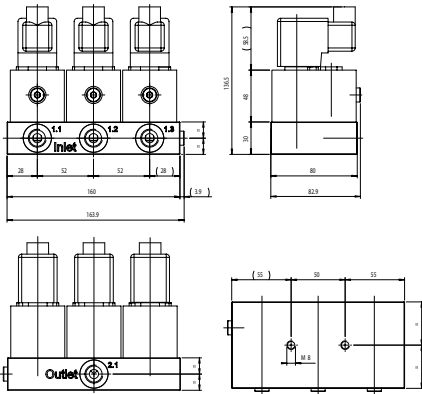
### Technical features

Function 6 x 2/2-way solenoid valve, NC  
 Pressure range 10 ... 350 bar  
 Test pressure 525 bar  
 Burst pressure 1400 bar

Housing material stainless steel  
 Filter 40 m \*  
 Mounting position any  
 Media natural gas  
 Ambient temperature -20° ... +50°C

Rated voltage 24 V DC (10W)  
 24 V AC (7W / 12VA)  
 110 V AC (7W / 12VA)  
 230 V AC (7W / 12VA)

EC-type-examination PTB 05 ATEX 2050X  
 II 2 G EEx m II T4  
 II 2 D IP 65 T130°C



### Order Information



Part no.	Port connections		Orifice size	Flow Rate
	Inlet port	Outlet port		
179.361.00	G 3/8	G 3/8	8 mm	Kv = 0.96 m³/h
179.362.00	SAE 6	SAE 6	8 mm	Cv = 1.1 USGPM
176.001.00	G 1/2	G 3/8	8 mm	Kv = 0.96 m³/h
177.051.00	SAE 8	SAE 8	8 mm	Cv = 1.1 USGPM
170.590.00 *	G 1/2	G 3/8	8 mm	Kv = 0.96 m³/h
174.420.00 *	SAE 8	SAE 8	8 mm	Cv = 1.1 USGPM
182.881.00	G 3/4	G 1/2	12 mm	Kv = 2.3 m³/h
182.882.00	SAE 12	SAE 8	12 mm	Cv = 2.7 USGPM

Part no.	Rated voltage	Weight
171.045.024D	24 V DC	0.5 kg
171.046.024R55	24 V AC	0.5 kg
171.046.110R55	110 V AC	0.5 kg
171.046.230R55	230 V AC	0.5 kg



Eugen Seitz AG · Head Office Spitalstrasse · 204 8623 Wetzikon · Switzerland  
 Phone +41 44 931 80 80 · Fax +41 44 931 80 90 · [afs@seitz.ch](mailto:afs@seitz.ch) · [www.seitz.ch](http://www.seitz.ch)

Eugen Seitz GmbH · Beindersheimer Strasse 46 · 67227 Frankenthal · Germany  
 Phone +49 6233 35 61 11 · Fax +49 6233 35 61 22 · [u.boehnlein@eugenseitz.de](mailto:u.boehnlein@eugenseitz.de)

Eugen Seitz AG Shanghai, Representative Office · 22E, Huadu Mansion, Zhangyang Road 838 · 200122-Shanghai · PR of China  
 Phone +86 21 5820 8947 · Fax +86 21 6875 4669 · [helen@seitz.cn](mailto:helen@seitz.cn)

